

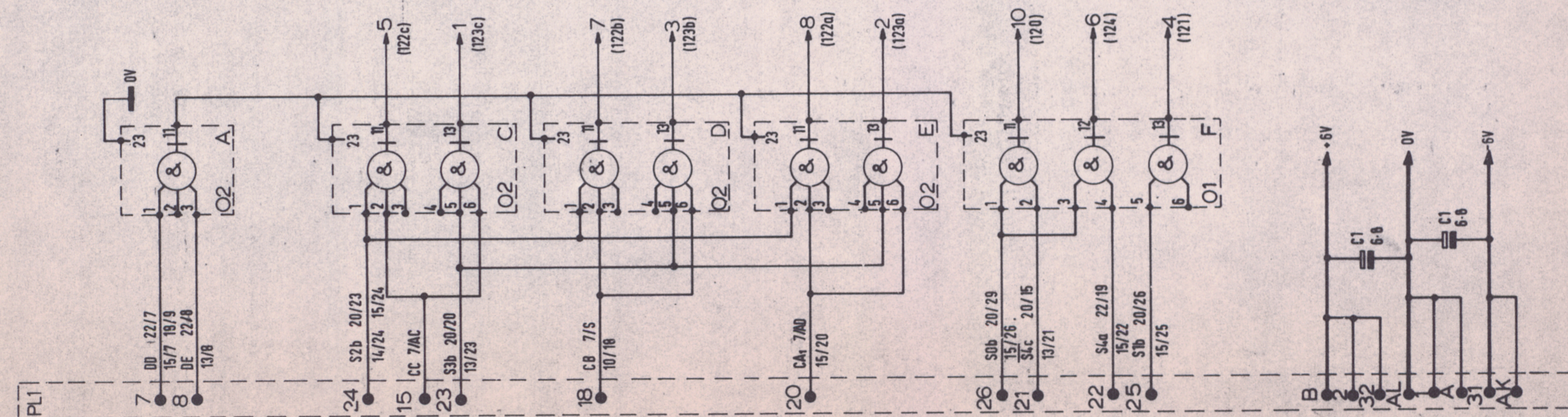
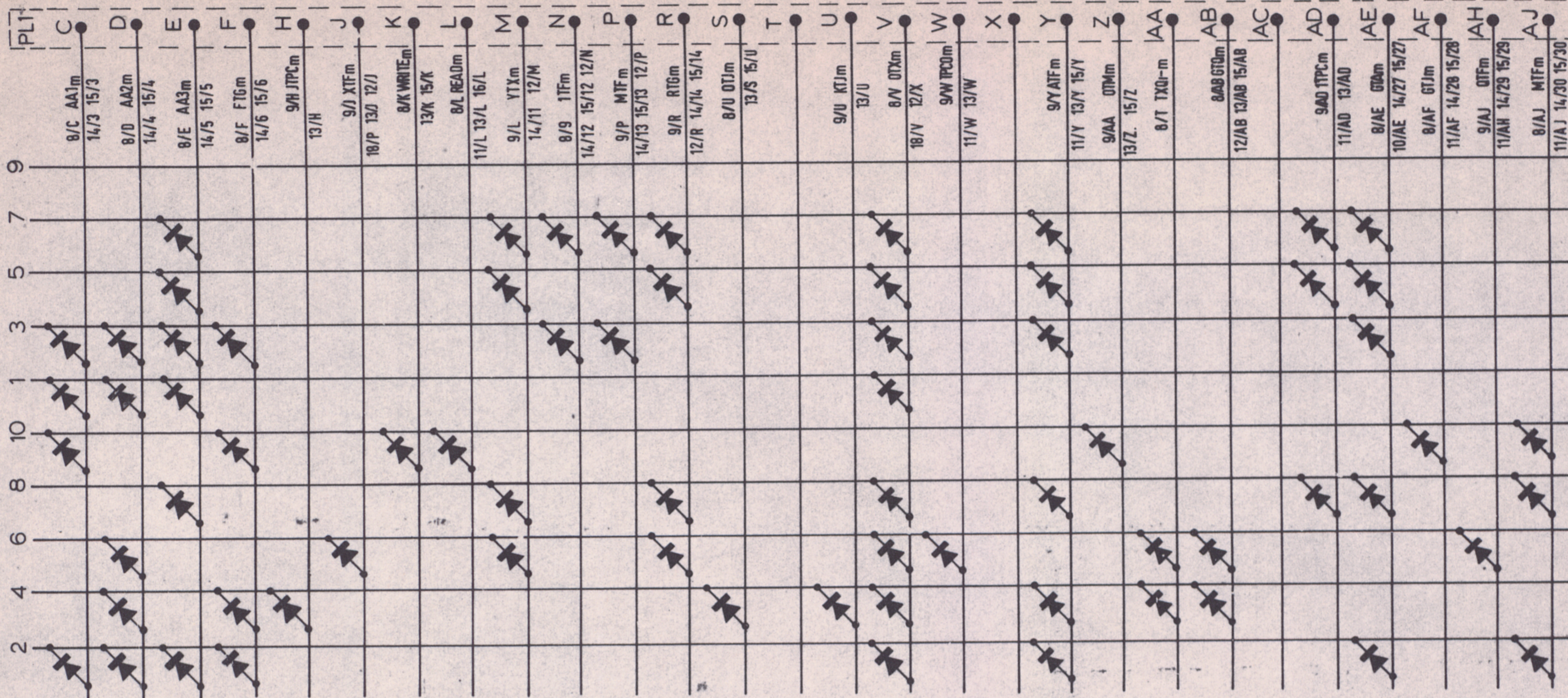
322C5205

THIRD ANGLE PROJECTION

DIMENSIONS IN INCHES UNLESS OTHERWISE STATED

DO NOT SCALE DRAWING

DRIVED ON C4073



TITLE BOARD A-GF POS.14
CONTROL MATRIX
FUNCTION 12

TO BE READ IN CONJUNCTION WITH 322A7191

32

LATEST MI INCORPORATED: MI 2151 ~~2998~~

ISSUE No.	1
ALTERATION No.	1740
DATE	14-7-66
INITIALS	C.C.
PARTS LIST No.	
DRAWN	C. CLARKE
CHECKED	C.S. 635
APPROVED	[Signature]
DATE	9-11-66

MATERIAL _____ FINISH _____

© Elliott Brothers (London) Limited
THIS DRAWING IS THE PROPERTY OF ELLIOTT BROTHERS (LONDON) LIMITED AND MAY NOT BE COPIED, REPRODUCED OR DISCLOSED FOR ANY PURPOSES EXCEPT AS AUTHORIZED IN WRITING BY ELLIOTT BROTHERS (LONDON) LIMITED

TOLERANCES
LINEAR
UNMACHINED SURFACES ±
MACHINED SURFACES ±
ANGULAR DIMENSIONS ±
UNLESS OTHERWISE STATED

ELLIOTT BROTHERS (LONDON) LTD

TITLE BOARD A-GF POS.14
CONTROL MATRIX
FUNCTION 12

SCALE _____
DRAWING No. 322C5205